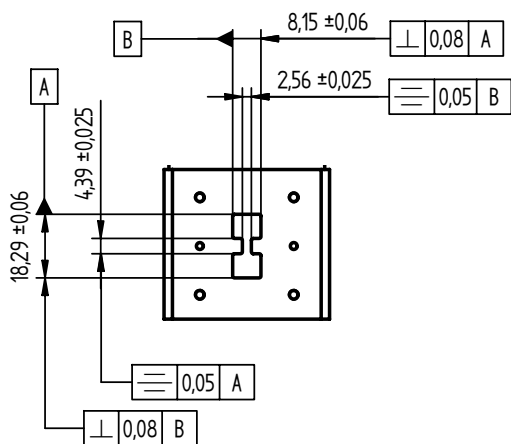
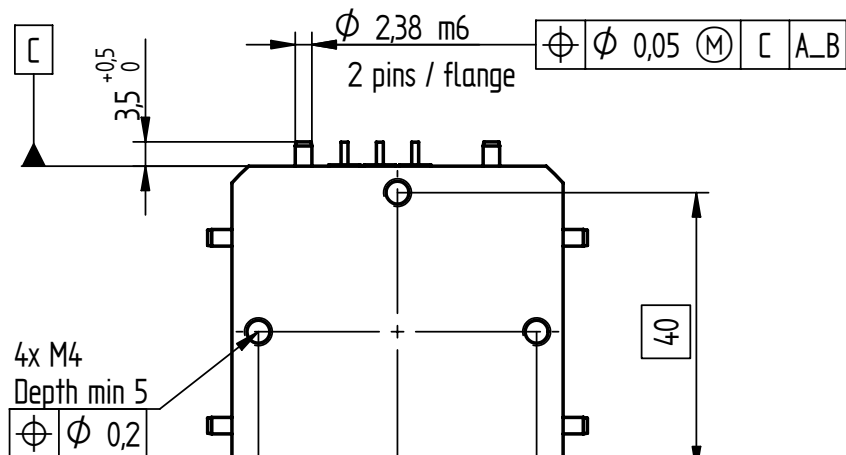
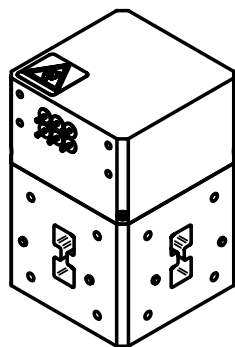
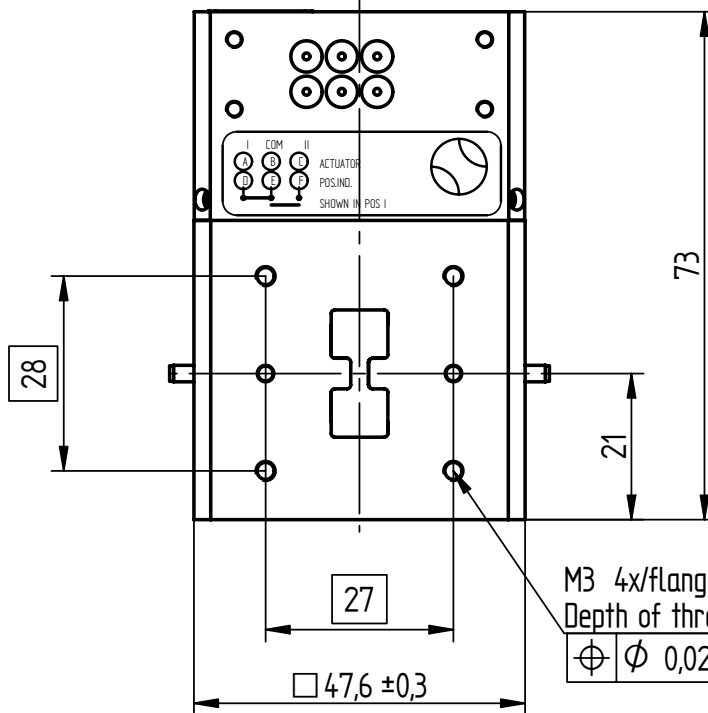
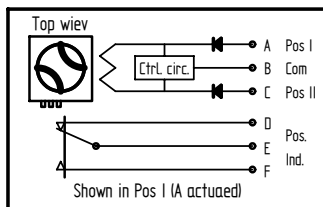


Issue	Modification	Date	Sign.	Chkd.
D	ECO	2004-04-26	HNg	HW



CAUTION!
 Never connect supply voltages to pins A and C simultaneously. Severe damage will result.

CAUTION!
 ESD SENSITIVE



Drawing principle	SS 1902	UNLESS OTHERWISE STATED THE FOLLOWING APPLIES: General tolerances, linear and angular dimensions: ISO 2768-c ∇ \odot Europ. proj.	Ref. 04-04-23	Sign. HNg
Tolerancing principle	ISO 8015		Chkd.	Sign.
Dimensions in mm			Appvd.	Sign. HW
	Title	WAVEGUIDE SWITCH WRD 650 D28 Latching	Designed	Sheet 1 (2)
			Scale 1:1	Issue D
			Doc. no. WS8089D6/00	

Reference	Approved	Origin date	Issue date	Issue	Page	Document
HNg	HW	1995-02-03	2004-04-22	D	2 (2)	WS 8089D6/00

RF DATA

Frequency range	6.5 – 18.0 GHz
VSWR	1.2
Insertion loss	0.4 dB
Isolation	50 dB
Peak power	20 kW at 0.1 MPa abs., +25°C
Average power	500 W
Flange interface	See page 2

ACTUATOR DATA

Operating voltage	28±3 VDC
Operating current	1 A, Self cut off
Switching time	150 ms
Duty (min time between successive operations)	500 ms -40°C to +40°C linearly increasing to 2 s at +85°C
Connector	Soldering pins

POSITION INDICATOR

Position indicator current	60 V Max, 50 mA Max Resistive load
----------------------------	------------------------------------

MECHANICAL DATA

Material	Aluminium alloy, Cu free
Finishing	Chromate per MIL-C-5541 and black painted
Air pressure	0.1 MPa overpressure Max
Air leakage	10 cm ³ /min. (0.1 MPa overpr.) Max
Weight	0.35 kg Max
Life	250 000 actuations

ENVIRONMENTAL DATA

Ambient temperature	-40°C to +85°C
Vibration	5 – 18 Hz, 3 mm amplitude 18 – 2000 Hz, 15 g
Humidity	100%RH if dry air in waveguide