



FLOW-THRU PRESSURE TRANSDUCER



Model 350
Flow-Thru Pressure Transducer

MODEL 350

FEATURES:

- Zero Internal Dead Volume
- Pressure Ranges: 0-3000 thru 0-75K PSI
- 0-5 VDC, 4-20mA, HART, Modbus, CANbus
- Rated for Autoclave or CIP operation
- Field adjustable Zero & Span
- Optional wetted parts: 316 SST, Inconel, or 17-4 PH SST

APPLICATIONS:

- Chromatography
- Pharmaceutical
- Biotech
- Homogenizing
- Food processing
- High purity type applications

PRODUCT OVERVIEW:

The Model 350 from GP:50 is a flow-thru pressure transmitter with a unique one-piece design. This flow-thru design provides a zero internal dead volume eliminating the need for tee's or dead ended process connections. This design removes the possibility of trapped media or contamination and allows for a clean in-place device, providing for a sanitary, in-line solution.

OPTIONS:

- Process Ports: Autoclave, NPT, or O-Ring Seal
- Electrical Connections
- High-temp operation to 350 °F
- Digital Output: HART, Modbus, CANbus, USB

GP:50 MODEL 350

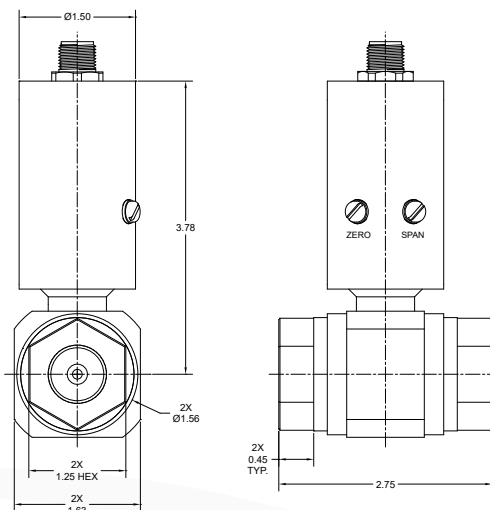
DIMENSIONAL DRAWING

All dimensions are in inches (mm)

CONSULT FACTORY FOR OTHER OPTIONS

STANDARD WIRING

PIN OR WIRE COLOR	MODEL 250	MODEL 350
1/A/RED	+EXC	+EXC/SIG
2/B/GRN	+SIG	N/C
3/C/WHT	N/C	N/C
4/D/BLK	-EXC/SIG	-EXC/SIG
5/E/BLU	+SHUNT (OPT)	+SHUNT (OPT)
6/F/BRN	-SHUNT (OPT)	-SHUNT (OPT)



REFERENCE SPECIFICATIONS

ELECTRICAL	MECHANICAL (Options may affect specs)
<ul style="list-style-type: none"> Supply Voltage: 9.0 to 36 Vdc (Some options may affect excitation) Output Signal: (Model 250) 0 to 5 VDC, 0 to 10 Vdc (Model 350) 4-20 mA (Other outputs available, consult factory) Circuit Protection: RFI, EMI & Reverse Polarity Protected Response Time: <3 ms 10% to 90% 	<ul style="list-style-type: none"> Process Connection: ≤10K PSI (≤ 689 BAR) 1/4" NPT (F) 20K-60K PSI (1,379 to 4,137 BAR): Autoclave type F-250-C 65K-75K PSI (4,482 to 5,171 BAR): Autoclave type F-312C150 Electrical Connection: Amphenol PTIH-10-6P connector or equivalent Proof Pressure: 1.2X FSO Proof Pressure: 1.2X FSO or 120K PSI (8,274 BAR) (whichever is less) Burst Pressure: 2X FSO or 120K PSI (8,274 BAR), whichever is less Weight: 10 oz. (0.3 kg) nominal (options may increase weight) Installation Effect: ±1.0% FSO (Zero Adjust can null)
STATIC ACCURACY (RSS) (HYSTERESIS, NON-LINEARITY & REPEATABILITY @ +70 °F) Standard: ±0.5% FSO Improved: ±0.2% FSO Zero & Span Balance: ±1% FSO @ +70 °F (+21 °C) for each (Local Zero and Span adjust options)	PRESSURE RANGES 0 to 3000 thru 0-75K PSI (207 BAR thru 5,171 BAR)
MATERIALS OF CONSTRUCTION <ul style="list-style-type: none"> Wetted Parts: 17-4 PH SST or Inconel (Other options available, consult factory) Housing: 300 Series SS 	THERMAL SPECIFICATIONS <ul style="list-style-type: none"> Compensated: 0 °F to +180 °F (-17.7 °C to +82 °C) Operating Temperature: -65 °F to +250 °F (-54 °C to +121 °C) Storage: -65 °F to +250 °F (-53 °C to +121 °C) Effect on Zero/Span: ±1.0% FSO/100 °F (Optional Compensation: -40 °F to +250 °F (-40 °C to 121 °C)) Improved or expanded temperature compensation available

**Standard configurations shown.
Please consult factory for other options.**

All specifications are for reference purposes only. In the interests of continuous product improvement, all specifications are subject to change without notice. Please contact GP:50 for assistance with your application.

© 2019 GP:50 NY Ltd. | 2770 Long Rd, Grand Island, NY 14072 USA

Tel: +1.716.773.9300 Fax: +1.716.773.5019 Email: sales@gp50.com Web: www.gp50.com

