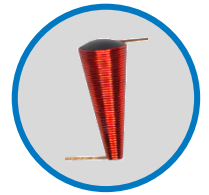




Micro Series Broadband Conical Inductor



Features

- Broadband width past 40 GHz
- Low Inductance with current handling up to 800 mA
- Micro – size for small packages
- Low Insertion loss across band (<-0.35 dB Typical)

Micro Series Conical Inductor Specification

Part Number	L (uH)	I max (mA)	Upper Freq. Limit (GHz) Typ.	Return Loss (dB) Typ.	Insertion Loss (dB) Typ.	Q Typ. @ 10 MHz	DCR Typ (Ohms)	Foot Print (OD x L) Inch
CC7T40K240G5	.024	800	40+	-18	-.35	10-15	.090	.035 x .035
CC7T44K240G5	.024	500	40+	-20	-.35	20-25	.090	.025 x .025
CC10T40K240G5	.047	1300	40+	-20	-.35	15-20	.070	.030 x .045
CC10T47K240G5	.070	340	40+	-26	-.35	25-30	.390	.023 x .025
CC15T47K240G5	.095	250	40+	-20	-.35	10-15	.450	.030 x .035
CC20T44K240G5	.170	325	40+	-20	-.35	22-28	.300	.030 x .055
CC24T45K240G5	.250	375	40+	-26	-.35	20-25	.500	.030 x .055
CC25T44K240G5	.250	300	40+	-26	-.35	22-28	.500	.035 x .070
CC25T47K240G5	0.250	230	40+	-26	-.35	25-30	.800	.025 x .050

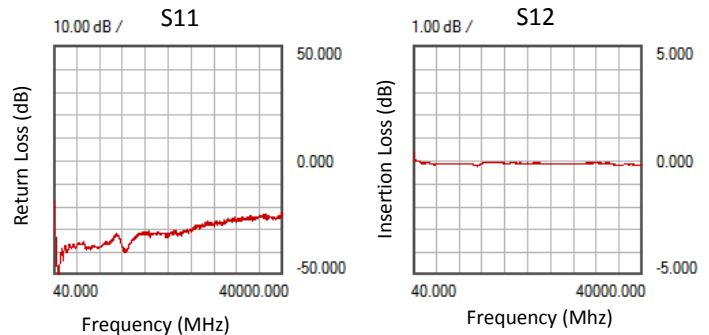
Custom conicals available upon request - Contact Piconics for more info.

S-Parameters available @ www.piconics.com/conical-inductors

Environmental:

Operating Temp.	-55°C to +155°C
Storage Temp.	-55°C to +155°C
RoHS Compliant	Yes
Outgas	Meets ASTM E595
FIT Rate	34 SR-332
MSL Rating	1
MTBF	29,695,225 Hours

Frequency Response:



TE Tect Electronics 特力电子
A High Quality Components Supplier

www.tect-electronics.com

香港: 00852-23337679

上海: 021-58789565

北京: 010-65671568

深圳: 0755-83278151

成都: 028-86283610

sales@tect.com.hk

salesSH@tect.com.cn

salesBJ@tect.com.cn

salesSZ@tect.com.cn

salesCD@tect.com.cn

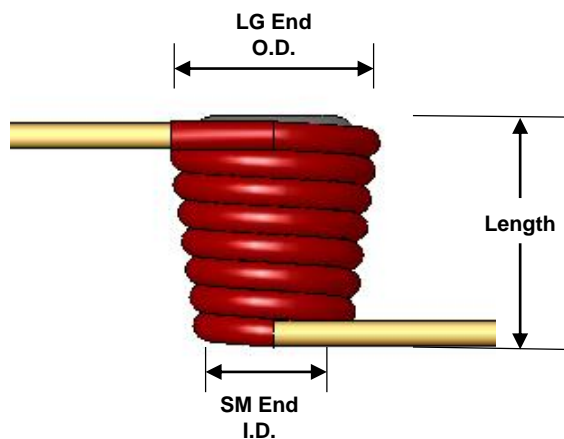


Micro Series Conical Inductor Specification

Part Number	Turns	Wire AWG	Length Inches [mm]	LG End O.D. Inches [mm]	SM End I.D. Inches [mm]	Lead Finish	Insulation Color
CC7T40K240G5	7	40	.035 [.89]	.035 [.89]	.008 [.20]	5-10 µin Au	Red
CC7T44K240G5	7	44	.025 [.64]	.025 [.64]	.008 [.20]	5-10 µin Au	Green
CC10T40K240G5	10	40	.045 [1.14]	.035 [.89]	.008 [.20]	5-10 µin Au	Red
CC10T47K240G5	10	47	.025 [.64]	.023 [.58]	.008 [.20]	5-10 µin Au	Red
CC15T47K240G5	15	47	.030 [.76]	.035 [.89]	.008 [.20]	5-10 µin Au	Red
CC20T44K240G5	20	44	.055 [1.40]	.030 [.76]	.008 [.20]	5-10 µin Au	Green
CC24T45K240G5	24	45	.055 [1.40]	.030 [.76]	.008 [.20]	5-10 µin Au	Red
CC25T44K240G5	25	44	.070 [1.78]	.035 [.89]	.008 [.20]	5-10 µin Au	Green
CC25T47K240G5	25	47	.050 [1.27]	.025 [.64]	.008 [.20]	5-10 µin Au	Red

Custom conicals available upon request - Contact Piconics for more info.
S-Parameters available @ www.piconics.com/conical-inductors

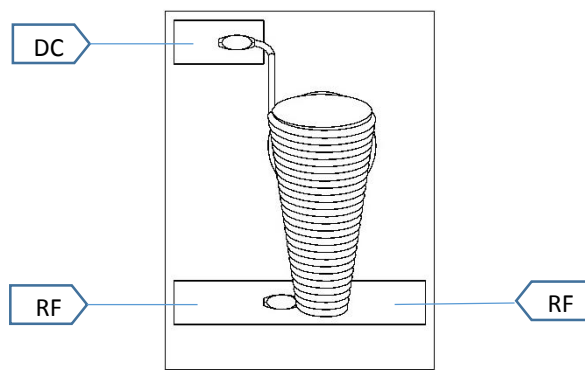
Mechanicals:



- Lead length is 0.200 inches MIN
- Insulation stripped within .050 of coil at large end
- Insulation stripped to coil body at small end

Not Drawn To Scale

Mounting:



Orient Small End
Towards RF Signal

Packaging:

Package Type	Gel Pak
Quantity / Pack	100

Notes:

1. L & Q are measure on an HP 4191A Rf Impedance Analyzer using a 16092A Spring Clip Fixture.
2. I_{dc} Max is the DC current at which the device sees a 100°C temperature rise over an ambient temperature of 25°C.
3. Please see "Conical Frequency Range Measurement Document" to see process for determining the inductors frequency range.
4. Please see "Mounting Instructions" in our application data section of our website for additional mounting instructions.



香港: 00852-23337679
 上海: 021-58789565
 北京: 010-65671568
 深圳: 0755-83278151
 成都: 028-86283610

sales@tect.com.hk
 salesSH@tect.com.cn
 salesBJ@tect.com.cn
 salesSZ@tect.com.cn
 salesCD@tect.com.cn

