



North Industrial Area P.O.Box 268 Or-Aqiva 30600 **ISRAEL**

Tel: + 972 (0) 462 63891 Fax: + 972 (0) 4626 3715

E-mail: rfq@time.co.il URL: http://www.time.co.il

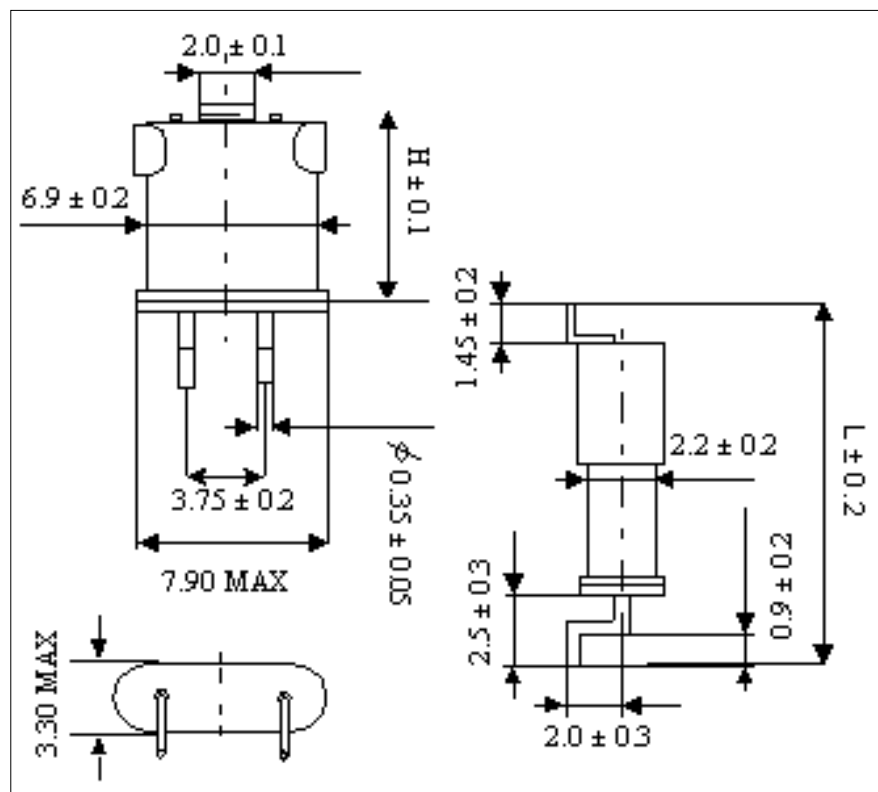
AT CUT SMD Crystals

MODEL	SU1	S9U
FREQUENCY RANGE (MHz)	10.0-50.00	1.80-30.00
FUNDAMENTAL OVERTONE	35.00-160.00	24.00-180.00
AGING	±3 PPM Max. for the first year	
SHUNT CAPACITANCE	7 pF Max.	
DRIVE LEVEL	0.1 mW Max.	
LOAD CAPACITANCE	Series or 12 to 32 pF Parallel	
OPERATING TEMP' RANGE	-10 to +70°C or -40 to +85°C	
STORAGE TEMPERATURE	-55 to +125°C	
TOLERANCE AT +25° C	± 10 PPM to ± 100 PPM Standard: ± 50 PPM	
STABILITY OVER TEMP' RANGE	± 10 PPM to ± 100 PPM Standard: ± 50 PPM	
EQUIVALENT SERIES RESISTANCE	See ESR Table	
SMD PACKAGE	UM1	HC49/U

SU1

H	7.7
L	11.7

Dimensions in mm.

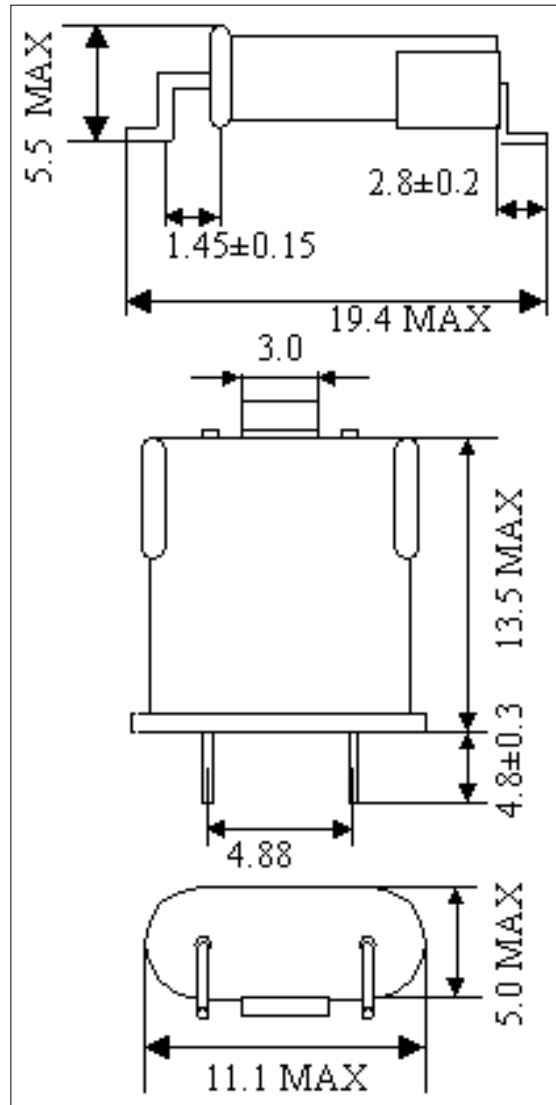


Tect Electronics

The authorized distributor in the Greater China Region

S9U

Dimensions in mm.



[AT CUT SMD Crystals](#) [to top](#)