

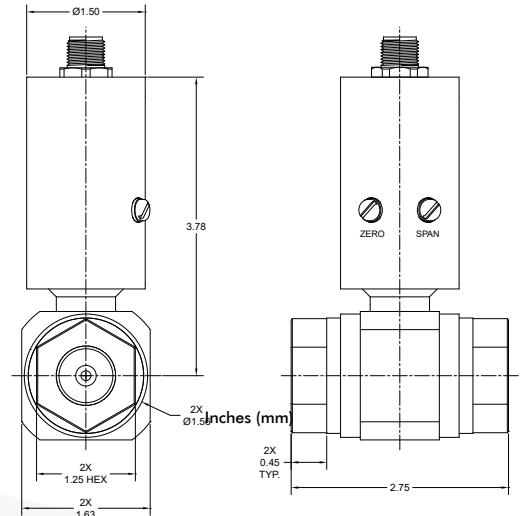
MODEL 250/350 AI/AN

SANITARY FLOW-THRU PRESSURE TRANSDUCER



STANDARD WIRING

| PIN OR WIRE COLOR | MODEL 250 | MODEL 350 |
|-------------------|--------------|--------------|
| 1/A/RED | +EXC | +EXC/SIG |
| 2/B/GRN | +SIG | N/C |
| 3/C/WHT | N/C | N/C |
| 4/D/BLK | -EXC/SIG | -EXC/SIG |
| 5/E/BLU | +SHUNT (OPT) | +SHUNT (OPT) |
| 6/F/BRN | -SHUNT (OPT) | -SHUNT (OPT) |



Standard configurations shown.
Please consult factory for other options.



PRODUCT OVERVIEW:

The Model 250/350 AI/AN from GP:50 is a flow-thru pressure transmitter with a unique one-piece design. This flow-thru design provides a zero internal dead volume eliminating the need for piping tees or dead ended process connections. This design removes the possibility of trapped media or contamination and allows for a Clean In Place (CIP) device, providing for a sanitary, in-line solution for the pharmaceutical market especially rated for high pressure homogenization systems.

FEATURES:

- Zero Internal Dead Volume
- Pressure Ranges: 0-3000 thru 0-100K PSI
- 0-5 VDC, 4-20mA, HART Modbus, CANbus
- Rated for Autoclave operation
- Field adjustable Zero & Span
- Optional wetted parts: 316 SST, Inconel, or 17-4 PH SST

APPLICATIONS:

- Chromatography
- Pharmaceutical
- Biotech
- Homogenizing
- Food processing
- High purity type applications

OPTIONS:

- Process Port: Autoclave
- Electrical Connections
- High-temp operation to 350° F
- Digital Output: HART, Modbus, CANbus, USB

Consult factory for other options (may affect 3A approval)

GP:50 MODEL 250/350 AI/AN

REFERENCE SPECIFICATIONS

(Standard configurations shown, consult factory for other options)

| ELECTRICAL | |
|---------------------|--|
| Output Signal: | (Model 250) 0 to 5 VDC, 0 to 10 Vdc (Model 350) 4-20 mA (Other outputs available, consult factory) |
| Excitation Voltage: | 9.0 to 36 Vdc (Some options may affect excitation) |
| Bridge Resistance: | (Does not apply to this unit) |
| Circuit Protection: | RFI & EMI Reverse polarity protected |
| Response Time: | <3 ms 10% to 90% |

| MATERIALS OF CONSTRUCTION | |
|---------------------------|---|
| Wetted Parts: | Inconel 718 (Other options available, consult factory) |
| Housing: | 300 Series SS |
| O-Ring: | (Does not apply to this unit) |
| Internal Fill: | (Does not apply to this unit) |

| ACCURACY (BFSL): Hysteresis, Non-Linearity & Repeatability @ +70 °F | |
|---|--------------------------------------|
| Standard: | ±0.5% FSO |
| Improved: | ±0.2% FSO |
| Zero & Span Balance: | ±1% FSO at + 70 °F (+21 °C) for each |

| MECHANICAL (Options may affect specs) | |
|---------------------------------------|--|
| Process Connection: | <ul style="list-style-type: none"> ≤ 10K PSI (≤ 689 BAR) ¼" NPT (F) 20K-60K PSI (1,379 to 4,137 BAR): Autoclave type F-250-C |
| Electrical Connection: | Amphenol PTIH-10-6P connector or equivalent |
| Probe Length: | N/A |
| Proof Pressure: | 1.2X FSO or 120K PSI (8,274 BAR) (whichever is less) |
| Burst Pressure: | 2X FSO or 120K PSI (8,274 BAR), whichever is less |
| Approximate Weight: | 10 oz. (0.3 kg) nominal (options may increase weight) |
| Installation Effect: | ± 1.0% FSO with Autoclave fittings (Zero Adjust can null) |
| 3A approved for COP operations | |

| PRESSURE RANGES |
|---|
| 0 to 3000 thru 0-60K PSI (207 BAR thru 4,137 BAR) |

| THERMAL SPECIFICATIONS | |
|---|--|
| Operating Range: | -20 °F to +190 °F (-29 °C to +88 °C) |
| Compensated Range: | 0 °F to +180 °F (-17.7 °C to +82 °C) (Optional: -40 °F to +350 °F (-40 °C to 177 °C) Operating) |
| Storage Ambient: | -65 °F to +250 °F (-53 °C to +121 °C) |
| Effect on Zero/Span: | ± 1.0% FSO/100 °F |
| Improved or expanded temperature compensation available | |

| APPROVALS |
|--|
| ATEX/IEC Intrinsically Safe: II 1 G Ex ia IIC T5 Ga |
| ATEX Zone 2: II 3 G Ex nA/ic IIC T5 Gc Non-incendive |

